



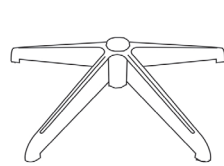
SCAN HERE
to see additional
information and
product videos



Tools Required

Allen key provided.
No additional tools required.

Parts Included



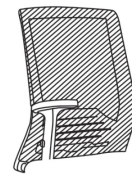
A x 1
Base



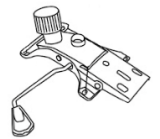
B x 1
Seat Pan



C x 2
Armrests



D x 1
Backrest



E x 1
Mechanism



F x 5
Casters



G x 1
Gaslift



M6 x 30
H x 4



M6 x 25
I x 2



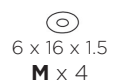
M6 x 20
J x 4



M8 x 20
K x 3



6 x 18 x 1.5
L x 4



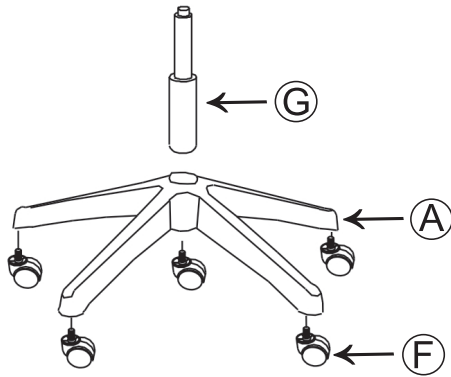
6 x 16 x 1.5
M x 4



M8
N x 3

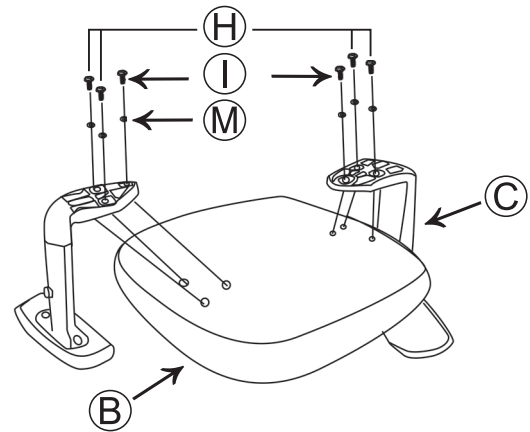
Step 1

Insert casters into base. Insert gaslift into base.



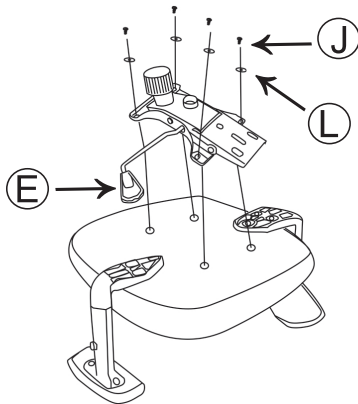
Step 2

With seat pan upside down, attach armrest marked L (left) & R (right) to seat using screws and washers shown below and tighten with Allen Key.



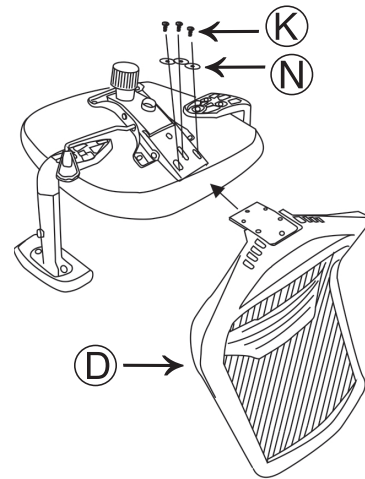
Step 3

With seat upside down, place mechanism on the seat aligning so the "Front" label on the mechanism matches the Front label on the seat pan. Use 4 Mechanism Screws (J) and flat washers to attach the mechanism, tighten fasteners once all fasteners are in using Allen Key.



Step 4

Attach Backrest to Mechanism using 3 back screws & washers shown below, tighten screw using Allen Key.



Step 5

Attach assembled chair to base & gaslift. Sit on the chair to secure.

